

IS-2500

Instrument Stand



- Unique, Modern, Ergonomic Design
- Built-in Charging Wells
- Simple Multi-Function Control Console
- Largest Arm Adjustment of Any Stand
- Single Lock Lever for All Arm Motion
- Affordably Priced

Topcon Medical Systems
www.topcon.com



Topcon Medical Systems
 37 W. Century Road
 Paramus, NJ 07652
 Phone: 201-261-9450
 Fax: 201-634-1365



Easy To Use Switch Panel



Single Lever Locks All Arm Motion

Arm mounting can be adjusted to one of three positions at 2" increments

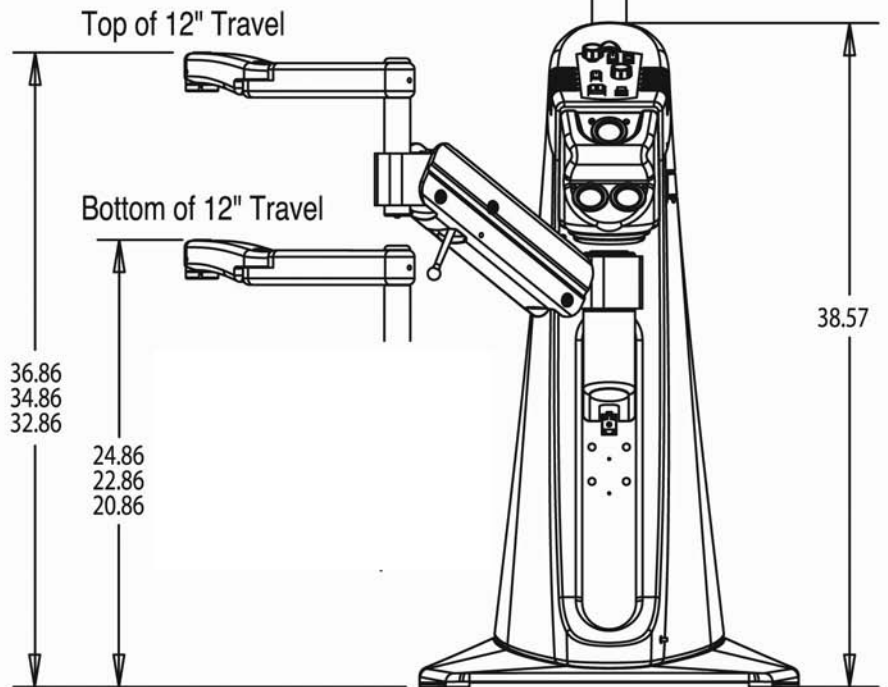


Three Different Reclining Type Signature Series Chairs Available

The all-new IS-2500 Instrument Stand is the latest addition to Topcon's family of delivery products.

This easy to operate system features a single lock lever for both the slit lamp, and vision tester arm, as well as a thoughtful ergonomic design for a less stressful examination experience. From the standard electronics, to the progressive look, this stand is sure to fit the needs of your practice.

Mate this innovative stand with any of our Signature Series chairs to complement the outstanding style and value for a truly impressive chair and stand package.



Ophthalmic Stand

Base Size:	22.0 inch x 22.0 inch (559 mm x 559 mm)
Stand Size:	13.0 inch x 18.0 inch x 39.0 inch (330 mm x 457 mm x 991 mm)

Counterbalanced Refractor Arm

Adjustable Load Range:	8 to 20 lbs. (3.6 to 9.0 kg)
Vertical Adjustment Range:	12 inch (305 mm)

Counterbalanced Keratometer Arm (Optional)

Adjustable Load Range:	18 to 45 lbs. (8.2 to 20.4 kg)
Vertical Adjustment Range:	11.5 inch (292 mm)

Counterbalanced Slit Lamp Arm

Adjustable Load Range:	35 to 65 lbs. (16 to 29 kg)
Vertical Adjustment Range:	12 inch (305 mm)

Rechargeable Instrument Wells

Battery Voltage:	3.5 v
Charge Rate :	Trickle: 15 mA

Electrical

Voltage:	120 and 220 v AC
Current:	5 A (120 v), 3 A (220 v)
Frequency:	60/50 Hz

Weight

Net weight:	305 lbs (138 kg)
-------------	------------------